

Fire Fighting Robot

Achal Korekar¹, Shreya Kudrapwar², Prayojita Urade³, Harshika Pekade⁴
Sakshi Lahamge⁵, Dr. Vanita Buradkar⁶

 [0000-0001-8033-4198](https://orcid.org/0000-0001-8033-4198)

^{1,2,3,4,5,6} Rajiv Gandhi College of Engineering Research & Technology, Chandrapur, India ,442401

Email of Corresponding Author: achalkorekar15@gmail.com

Received on: 18 May,2025

Revised on: 24 June,2025

Published on: 26 June,2025

Abstract – Firefighting robots are getting to be progressively imperative instruments for combing fires, especially in unsafe environment. The robot is outlined to work in situations that are ordinarily blocked off or perilous for firefighters. This paper audits the most recent headways in real-time remote firefighting robots. We discuss different fire quencher alternatives past conventional water based frameworks to address the confinements of water in quenching particular fires. Also, the paper analyzes the part of real-time communication for farther control and information transmission, empowering firefighters to make educated choices and guarantee their security amid operations.

Keywords- Firefighting Robot; MLX90614; 5V Relay Module; Flame sensor; L298n Driver; ESP32-CAM Camera Module; Arduino uno R3; BO motor; Mini Breadboard; GSM Sim 800C

INTRODUCTION

Fire accidents pose a significant threat to life, property, and the environment. Quick detection and immediate response are crucial to minimizing the damage caused by fire outbreaks. Traditional firefighting methods often expose human firefighters to dangerous situations, leading to injuries or fatalities. To address this issue, automation and robotics offer a safer and more efficient alternative. This project presents the design and

development of a Fire Fighting Robot based on Arduino technology. The robot is equipped with flame sensors to detect the presence of fire and a water-pumping mechanism to extinguish it. It can operate autonomously or via remote control, depending on the design, and is capable of navigating towards the fire source using sensor data. The core of the system is an Arduino microcontroller, which processes sensor inputs and controls the robot's motors and water-spraying mechanism. The integration of temperature sensors, motor drivers, and possibly obstacle detection (using ultrasonic sensors) enhances the robot's ability to function effectively in a fire-prone environment. This robotic system aims to act as a first-response unit in fire emergencies, especially in locations that are difficult or dangerous for humans to access—such as chemical plants, storage facilities, or narrow urban spaces. By implementing this Arduino-based fire fighting robot, we take a step forward in utilizing technology for enhancing safety and reducing risks in fire management. In today's rapidly evolving world, technological advancements are continually being leveraged to address critical societal challenges. Among these, fire safety remains a paramount concern, as fires pose significant threats to human lives, property, and the environment. Traditional firefighting methods, while effective, often expose firefighters to dangerous and life-threatening conditions. This reality has spurred innovation in the field of robotics, leading to the development of autonomous and

International Journal of Innovations in Engineering and Science, www.ijies.net

semi-autonomous systems capable of assisting or even replacing human intervention in hazardous environments. This report introduces the concept of a firefighting robot utilizing the Arduino platform, an accessible and versatile open-source electronics platform. The primary objective of this project is to design and implement a compact, cost-effective, and efficient robotic system capable of detecting and extinguishing small fires.

By integrating various sensors, actuators, and a microcontroller, this robot aims to provide a safer alternative for initial fire response, particularly in scenarios that are difficult or risky for human entry. The Arduino platform's ease of programming and extensive community support make it an ideal choice for developing a prototype that can demonstrate the fundamental principles of robotic firefighting. This report will delve into the design considerations, component selection, software architecture, and experimental results of our Arduino-based firefighting robot. We will explore how infrared flame sensors are employed for fire detection, how a water pump and nozzle system are integrated for extinguishment, and how motor drivers facilitate mobility. Ultimately, this project seeks to highlight the potential of readily available technology to create practical solutions for enhancing fire safety and protecting valuable resources.

LITERATURE REVIEW

1. Foundational Concepts and Motivations:

The core motivation behind developing firefighting robots stems from the inherent dangers faced by human firefighters, including intense heat, smoke inhalation, structural collapse, and exposure to toxic chemicals. Robots offer a safer alternative for initial reconnaissance, fire detection, and suppression, particularly in confined spaces, industrial settings, or areas with restricted access. The Arduino platform, with its open-source nature, low cost, and ease of programming, has emerged as a popular choice for prototyping and developing small-scale firefighting robots, making this technology accessible to a broader range of researchers and hobbyists (IJCRT.org, ijprems.com).

2. Key Components and Architectures:

Numerous studies and projects demonstrate a common set of components for Arduino-based firefighting robots: **Microcontroller:** The Arduino Uno is almost universally employed as the central processing unit, responsible for interpreting sensor data, controlling motors, and managing the extinguishing mechanism (IJCRT.org, quartzcomponents.com, ijrmps.org).

Fire Detection Sensors: Infrared (IR) flame sensors are the most prevalent choice for detecting the presence and direction of fire. These sensors respond to the infrared radiation emitted by flames, providing digital or analog signals to the Arduino (IJCRT.org, ijprems.com, quartzcomponents.com). Some advanced designs also incorporate temperature sensors (e.g., LM35) to monitor ambient heat and gas sensors (e.g., MQ-2) to detect smoke or flammable gases, providing a more comprehensive fire assessment (IRJMETS, ResearchGate).

Mobility System: DC motors, coupled with motor drivers (e.g., L293D, L298N), provide the robotic platform's movement. Chassis designs vary, with four-wheeled configurations being common for stability and maneuverability. Obstacle avoidance is often implemented using ultrasonic sensors (HC-SR04) or additional IR sensors (ijprems.com, GitHub, ijirt.org).

Fire Extinguishing Mechanism: A mini submersible water pump, typically connected to a water tank and a nozzle, forms the primary extinguishing system. A servo motor is frequently used to control the direction of the water spray, allowing for targeted extinguishment (IJCRT.org, quartzcomponents.com, instructables.com). Some research also explores the use of CO2 extinguishers as an alternative (ResearchGate).

Power Supply: Battery packs (e.g., Li-ion batteries) are essential for autonomous operation, with buck converters often employed to regulate voltage for different components (ResearchGate).

3. Functional Capabilities and Advancements:

Remote Control and Monitoring: Integration of Bluetooth modules (HC-05) or Wi-Fi modules (ESP8266) with IoT platforms (e.g., Blynk) enables remote control via smartphone applications and real-time alerts (IRJMETS, ijrpr.com, ResearchGate).

Enhanced Navigation: Advanced algorithms for path planning and more robust obstacle avoidance in cluttered environments are being investigated (ijirt.org, GIET University Journal).

Multi-Sensor Fusion: Combining data from various sensors (flame, temperature, gas) to improve the accuracy of fire detection and characterization (IRJMETS).

Communication with Firefighters: SMS alerts via GSM modules can inform human responders of fire incidents and the robot's status (ResearchGate).

Miniaturization: Efforts are being made to develop smaller, more agile robots capable of accessing highly confined spaces (GIET University Journal).

METHODOLOGY

All matter of the paper here after should be times new roman size 10 normal size, line spacing 1.15 inches, justified. Initially we require to make beyond any doubt all the components are associated and deliver control supply through an outside device. The robot remains sit still at first, afterward it begins turning in 360 degrees to

International Journal of Innovations in Engineering and Science, www.ijies.net

identify the nearness of protest with the offer assistance of re sensor . If the question is not inside the extend it moves ahead and at that point once more checks the nearness of protest inside the extend . Page 1 of 3 The flag is detected to the one of the five channel fire sensor and at that point robot moves if it signals to center sensor so that we can move to the protest precisely. After detecting the fire, it moves to certain separate and once more checks the run of remove until it moves close to the fire protest. After it comes to it at that point in turn actuates fire quencher or water pump to sprinkle the water on fire question .

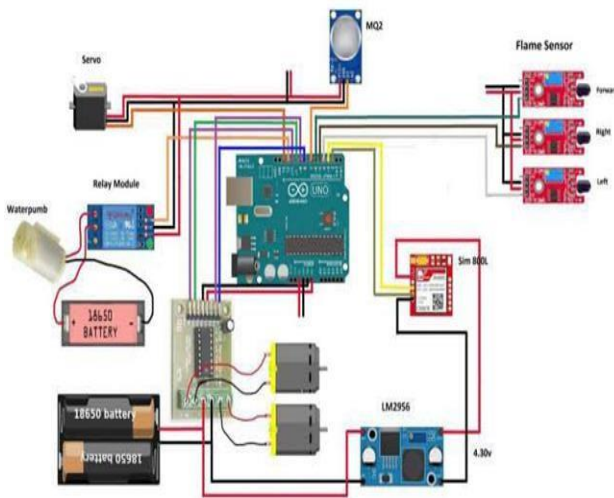


Fig 1.1 Block Diagram

A. HARDWARE IMPLEMENTATION

This robot comprises of a few sorts of sensors and the imperative portion of this robot is Arduino mega2560 which controls all other components. Fig appears that Arduino is utilized as a microcontroller associated with other components, Engine Driver is utilized to enact the moving of the DC engine. It too comprises of fire sensor and IR separate sensor. As input of the framework . Fire quencher is mounted on robot to decrease fire.

- 1) Fire Sensor: This sensor is primarily outlined for recognizing as well reacting to the event of a fire or fire. It identifies the fire with 5fire sensors which are organized with 30 degrees. Discovery range is 700-1100nm. Location point is 600 .
- 2) 5V transfer Module: A 5V hand-off is a programmed control switch that is commonly utilized in a programmed control circuit and to control a high-current utilizing a low-current flag. The input voltage of the relay arranges from 0 to 5V .

- 3) Temperature sensor: MLX90614 is an infrared thermometer for non-contact temperature measurements .
- 4) L298N Driver: The L298N is a double H-Bridge engine driver module that can control the speed and direction of DC engines, it can drive engines with a voltage between 5 and 35V Dc .
- 5) ESP32 CAM: It is a exceptionally little camera module with the ESP32-S chip. It is reasonable for assortment of application counting, remote video checking, wi-fi picture transfer, facial acknowledgment .
- 6) Arduino Uno R3: It is the microcontroller board .
- 7) BO Engine: It is moreover known as battery worked engine or BO adapt engine. It is a DC engine that's designed for battery fueled applications .

FLOW CHART

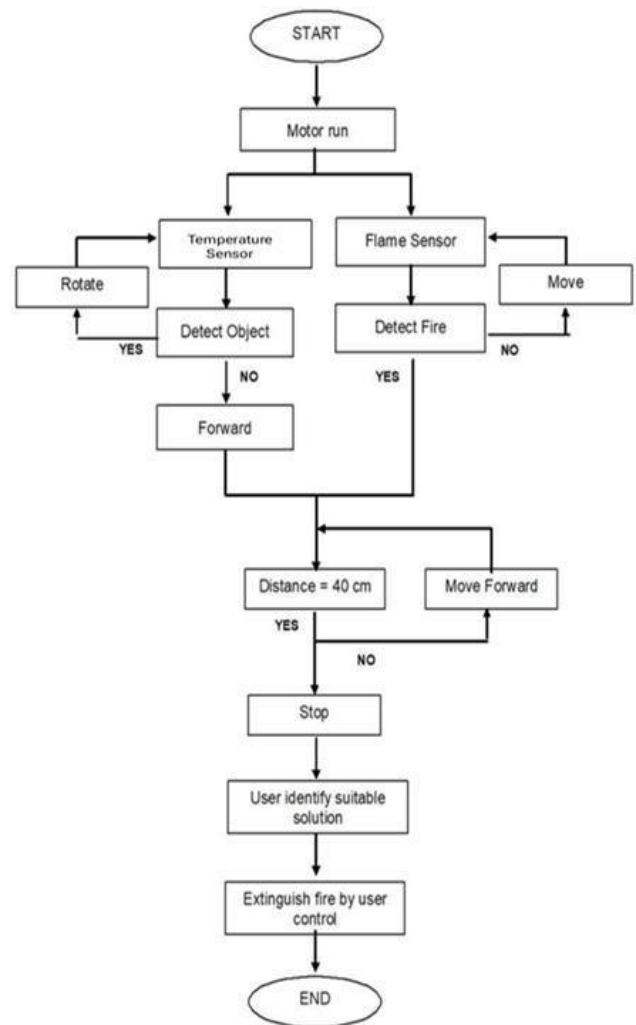


Fig.1.2 Flowchart

CONCLUSION

This report successfully outlines the design and implementation of a *firefighting robot utilizing the Arduino platform*. We've demonstrated that a relatively simple and cost-effective robotic system can be developed to autonomously detect and extinguish small fires, thereby mitigating risks to human life and property. The integration of *infrared flame sensors* for accurate fire detection, *DC motors* for effective navigation, and a *mini water pump* for suppression showcases the versatility and capabilities of the Arduino Uno as the central controller. While the prototype effectively addresses the primary objectives, future enhancements could focus on incorporating more sophisticated sensors for obstacle avoidance in complex environments, integrating wireless communication for remote monitoring and control, and increasing water carrying capacity for extended operation. Ultimately, this project serves as a compelling proof of concept for the potential of *Arduino-based robotics* in enhancing fire safety. As technology continues to advance, such autonomous systems will undoubtedly play an increasingly vital role in hazardous environments, offering a safer and more efficient approach to emergency response.

ACKNOWLEDGMENT

We would like to thank, all those who have encouraged us to take up this project.

REFERENCES

- [1] P. D Minns, *C Programming For the MAC and the Arduino Microcontroller System* Auther House, 2013.
- [2] A. M. Gibb, *New media art, design, and the Arduino microcontroller: A malleable tool. PhD thesis, Pratt Institute, 2010.*
- [3] A. M. Gibb, *New media art, design, and the Arduino microcontroller: A malleable tool. PhD thesis, Pratt Institute, 2010.*
- [4] M. Margolis, *Arduino cookbook. " O'Reilly Media, Inc.", 2011.*
- [5] D. Mellis, M. Banzi, D. Cuartielles, and T. Igoe, "Arduino: An open electronic prototyping platform, " in *Proc. CHI*, vol. 2007, 2007.
- [6] C. K. Joo, Y. C. Kim, M. H. Choi, and Y. J. Ryoo, *Self localization for intelligent mobile robot using multiple infrared range scanning system, In Control, Automation and Systems ICCAS'07, Seoul, Korea, 2007, 606-609.*
- [7] <http://electronicsforu.com/electronics-projects/hardware-diy/arduino-ir-firefighter-robot>.
- [8] <http://electronicsforu.com/electronics-projects/hardware-diy/arduino-ir-firefighter-robot>. [9]. J. Xu, W. Coombe, N.

Boyson, A. Ohira, X. Gu, 143.472 *Industrial Systems Design and Integration Fire Fighting Robot, 2006.*

[9] J. Xu, W. Coombe, N. Boyson, A. Ohira, X. Gu, 143.472 *Industrial Systems Design and Integration Fire Fighting Robot, 2006.*

[10] T. Rakib and M. A. R. Sarkar, "Design and fabrication of an autonomous firefighting robot with multi sensor fire detection using PID controller," 2016 5th International Conference on Informatics Electronics and Vision (ICIEV), .